



T4 Turret

The Next Generation of IP Trade turrets
DATASHEET

FOR TRADERS WHO DEMAND THE VERY BEST IN PERFORMANCE



WWW.IPTRADE-NETWORKS.COM



High-Performance, Unified Trading Communications & Collaboration

T4, the next generation turret that revolutionizes the integration between the trading room and all other environments of unified communications and also matches the styling and usability of the most advanced tablets in the market.



The T4 turret commands minimal desktop foot print whilst maintaining a 15" colour rich LCD display. The sleek design is coupled with up to four high fidelity speakers, microphone, and two durable trading room handsets, 4 adjustable viewing angles ensuring optimal visibility. The T4 will sit comfortably within a technology rich environment.

The latest in touchscreen technology ensures that the T4 is both a true turret as well as a multi-application tablet. Enabling applications such as videoconferencing, web apps, custom apps, click to dial, unified contacts, multi directory access, etc. are even simpler to use thanks to zooming and sliding screen features.

Recording

To ensure your Trading environment complies to MIFID and DODD Frank regulations, IP Trade has an open architecture and standard application programming interface (API) enabling seamless integration with industry leading media recording platforms. (the list of current models and versions supported is available from your sales representative).

Trading communications without limits

Get in touch with more than 10.000 professional contacts with the enterprise directory at your fingertips. Communicate seamlessly with other financial institutions, clients, colleagues or partners via private wire, hoots, landline, mobile connections and with all trader communities. The perfect integration of the IP Trade solutions within unified communications networks, eliminates barriers and provides traders with the unique functions they require.



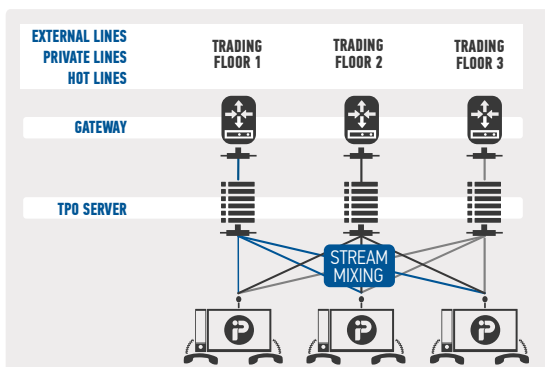
MOBILITY

The Mobile Trader application range offers seamless mobility from the T4, to Android or web platforms (including Apple iPhones) or on Windows. Mobile Trader allows remote working and Disaster Recovery solutions. With a user authentication, each user can work from any turret, telephone, tablet or from a disaster recovery center without losing functionalities, profile, contacts or even call history.

Functional description

The T4 is an integrated turret, based on the IP Trade voice architecture and dedicated components for the highest quality and performance. It combines a conventional and highly flexible Intel architecture with Windows 7 embedded providing a natural integration of applications.

CAPABILITY	DESCRIPTION
Display	Capacitive Touchscreen 15" 16/9
Handsets	Push-to-talk, Push-to-mute, Volume control, Red/Blue LEDs (left and right)
Loud Speakers	Amplified loudspeakers, Volume control – Side speakers (can be removed)
Speaker control	Global per line, Sound activity detection displayed on screen
Microphone	High-Fidelity gooseneck microphone
Simultaneous calls	32 (2 handsets, 30 on monitoring applet)
Contact	10.000, (140 visible simultaneously by default), unlimited pages and shared pages
Supported Line types	SIP, Public network, Trader Lines (automatic/manual ringdown) hoot'n holler
Call control via Touch screen	On Hold, Mute, Transfer, Dispatch, Conference, Call Back, Priority Lines, ...
Customisation	Variable background/button colors, private contacts, personalized ringdowns, languages (English, French, Dutch, German, Russian)
USB Ports	8 ports (for headsets and wireless headsets, foot pedals, keyboard, mouse, webcam etc)
Webcam	External (USB)
Telepresence	Integration with Cisco-Tandberg
Applications	Replay on turret, dial from outlook, chrome or firefox, Corporate Directory (LDAP), ...



Voice and Video application management

Each T4 turret is connected to the IP Trade software-defined media processing application called the Turret Proxy Openline (TPO) and to the PBX. The TPO can be installed on a virtual server with redundancy configurations that guarantees high availability & connectivity. The TPO acts as a standard unified communication network extension by using SIP (Session Initialization Protocol) for connection and provides advanced trader functions.

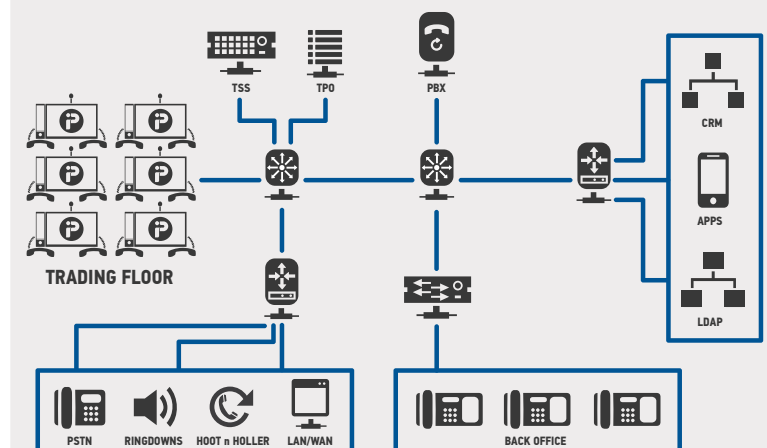
Management

The Turret Support Server (TSS) is a web-based management and database application that enables system configuration and management while acting as a central source for user profiles, enabling secure user authentication and system data storing. The TSS is also a gateway to other enterprise information systems and applications that may be integrated into the trading floor environment.

The powerful administration services include:

- T4 Turret configuration
- Monitoring, Management and Reports
- Authenticator and multi level security
- System database
- Application Integration
- System software update/upgrade tools

Solution Architecture



Ordering Information - Trading Turrets/Licenses

Part Number	Description
IPT-TUC03-SW=	Touchscreen Trading Turret software with 3 speaker channels bundle
IPT-TUC10-SW=	Touchscreen Trading Turret software with 10 speaker channels bundle
IPT-TUC30-SW=	Touchscreen Trading Turret software with 30 speaker channels bundle
IPT-PRO-T4	T4 Capacitive Unit (15" screen) - includes one (1) external amplified speaker, two (2) RJ11 handsets, one (1) power supply (Int'l power supply pack) - no microphone
IPT-PRO-T4-SPK-BUN	T4 Capacitive Unit (15" screen) - includes two (2) external amplified speakers, two (2) RJ11 handsets, one (1) power supply (Int'l power supply pack) - no microphone
IPT-PRO-T4-MIC-BUN	T4 Capacitive Unit (15" screen) - includes one (1) external amplified speaker, two (2) RJ11 handsets, one (1) microphone, one (1) power supply (Int'l power supply pack)
IPT-PRO-T4-MIC-SPK-BUN	T4 Capacitive Unit (15" screen) - includes two (2) external amplified speakers, two (2) RJ11 handsets, one (1) microphone, one (1) power supply (Int'l power supply pack)
IPT-TPO-100-SW=	TPO Application Software – 100 concurrent channels
IPT-TPO-400-SW=	TPO Application Software – 400 concurrent channels
IPT-SRV-SW=	TSS Application Software edition
IPT-PRO-SRV-BUND-SMB	TSS and TPO application software bundle - 100 concurrent channels
IPT-PRO-SRV-BUND-ENT	TSS and TPO application software bundle - 400 concurrent channels
IPT-PRO-SRV-BUND-SMB-RED	TSS and TPO application software bundle - 100 concurrent channels - Redundant
IPT-PRO-SRV-BUND-ENT-RED	TSS and TPO application software bundle - 400 concurrent channels - Redundant
IPT-TSS-OVA	TSS Virtual appliance license
IPT-TPO-OVA	TPO Virtual appliance license

Accessories and Maintenance

Part Number	Description
IPT-PRO-HDS-SER3	Profile series handset - HiFi audio - Push-to-talk or Push-to-mute switchable
IPT-PRO-MIC-EXT-50	Profile series external microphone 50cm length
IPT-PRO-SPK-T4	External IP Trade amplified speaker - Slim line - includes one (1) speaker and one (1) power supply cable
IPT-PRO-FTPD	External USB foot pedal
IPT-PRO-DIAL	External USB dialpad
IPT-PRO-MAINT-EXT	Extended Maintenance – 12 months, per unit



About IP Trade

IP Trade is a pioneer in the design of advanced SIP (Session Initiation Protocol) communications and has established itself as a leading provider of ultra-reliable, high-capacity unified communications and collaboration (UC&C) solutions designed for environments where “always-on” instant communications capabilities are required.

IP Trade SA solutions are marketed under the IP Trade, IP Command brands and are used in a variety of industry sectors including: capital markets, commodities, government, healthcare, investment management, military, transportation and utilities. Applications include: air traffic control, dispatch services, emergency services, financial trading, logistics, mission control, network operations, power transmission and public safety.

The company has its headquarters established in Belgium (Liege) and has offices in Asia, Europe and the USA and representation through partners in about 40 countries.

To learn more about IP Trade Solutions
Contact: info@iptrade-networks.com
or for more information
Visit: www.iptrade-networks.com



Belgium (Headquarters)

Liège Logistics,
Rue de l'Aéropostale, 8
4460 Grâce-Hollogne

Phone: + 32 4 364 04 69
info@iptrade-networks.com

BT Offices

London

BT Centre
81 Newgate Street, London
EC1A 7AJ
United Kingdom

Phone: + 44 20 7356 5000

Hong Kong

38/F, Dorset House
TaiKoo Place, 979 King's Road
Quarry Bay
Hong Kong

Phone: +852 2525 4481

New York

620 8th Ave
46th Floor
New York, NY 10018

Phone: +1 212-205-1800

Brazil

Av. das Nações Unidas, 4777 - 14º
andar, 05477-000 São Paulo - SP
Brasil

Phone: +55 11 4700 9800

Paris

Tour Ariane
5, place de la Pyramide
BP 22, 92088
La Défense Cedex

Phone: +33 (0)1 78 41 20 00

Frankfurt

Frankfurterstr 21-25
65760 Eschborn

Phone: +49 (0)69 3307 6000

WWW.IPTRADE-NETWORKS.COM